

116B
Legacy™ Line 16 Air Conditioner
with Puron® Refrigerant
1-1/2 to 5 Nominal Tons



Product Data



Bryant's Air Conditioners with Puron® refrigerant provide a collection of features unmatched by any other family of equipment. The 116B has been designed utilizing Bryant's Puron refrigerant. The environmentally sound refrigerant allows you to make a responsible decision in the protection of the earth's ozone layer.

This product has been designed and manufactured to meet Energy Star® criteria for energy efficiency when matched with appropriate coil components. Refer to the combination ratings in the Product Data for system combinations that meet Energy Star® guidelines.

NOTE: Ratings contained in this document are subject to change at any time. Always refer to the AHRI directory (www.ahridirectory.org) for the most up-to-date ratings information.

INDUSTRY LEADING FEATURES / BENEFITS

Efficiency

- 14 - 16.5 SEER/11.0- 13.5 EER
- Microtube Technology™ refrigeration system
- Indoor air quality accessories available

Sound

- Sound level as low as 76 dBA
- Sound level as low as 74 dBA with accessory sound blanket

Comfort

- System supports Edge® Thermidistat™ or standard thermostat controls

Reliability

- Puron® refrigerant - environmentally sound, won't deplete the ozone layer and low lifetime service cost.
- Scroll compressor
- Internal pressure relief valve
- Internal thermal overload
- Filter drier
- Balanced refrigeration system for maximum reliability

Durability

DuraGuard™ protection package:

- Solid, durable sheet metal construction
- Dense wire coil guard standard
- Baked-on, complete outer coverage, powder paint

Applications

- Long-line - up to 250 feet (76.20 m) total equivalent length, up to 200 feet (60.96 m) condenser above evaporator, or up to 80 ft. (24.38 m) evaporator above condenser (See Longline Guide for more information.)
- Low ambient (down to -20°F/-28.9°C) with accessory kit

MODEL NUMBER NOMENCLATURE

1	2	3	4	5	6	7	8	9	10	11	12	14
N	N	N	A	A/N	N	N	N	N	A/N	A/N	N	A
1	1	6	B	N	A	0	3	6	0	0	0	0
Product Family	Tier	SEER	Major Series	Voltage	Grille Variations	Cooling Capacity			Open	Open	Open	Series
1=AC	1= Legacy RNC	6=16 SEER	B=Puron	N= 208-230-1 or 208/230-1	A = Dense				0=Not Defined	0=Not Defined	0=Not Defined	



Use of the AHRI Certified TM Mark indicates a manufacturer's participation in the program For verification of certification for individual products, go to www.ahridirectory.org.



This product has been designed and manufactured to meet Energy Star® criteria for energy efficiency when matched with appropriate coil components. However, proper refrigerant charge and proper air flow are critical to achieve rated capacity and efficiency. Installation of this product should follow all manufacturing refrigerant charging and air flow instructions. **Failure to confirm proper charge and air flow may reduce energy efficiency and shorten equipment life.**

STANDARD FEATURES

Feature	018	024	030	036	042	048 / 049	060 / 061
Puron Refrigerant	X	X	X	X	X	X	X
Maximum SEER *	16.0	16.0	16.5	16.5	16.0	16.0	16.0
Scroll Compressor	X	X	X	X	X	X	X
Field Installed Filter Drier	X	X	X	X	X	X	X
Front Seating Service Valves	X	X	X	X	X	X	X
Internal Pressure Relief Valve	X	X	X	X	X	X	X
Internal Thermal Overload	X	X	X	X	X	X	X
Long Line capability	X	X	X	X	X	X	X
Low Ambient capability with Kit	X	X	X	X	X	X	X
Dense Grille	X	X	X	X	X	X	X

* With approved combinations

X = Standard

PHYSICAL DATA

UNIT SIZE-VOLTAGE, SERIES	018-B	024-A	030-A	036-A	042-A	048-B	049-A	060-A	061-A
Compressor Type	Scroll								
REFRIGERANT	Puron® (R-410A)								
Control	TXV (Puron® Hard Shutoff)								
Charge lb (kg)	4.60 (2.09)	6.00 (2.72)	6.81 (3.09)	6.75 (3.06)	8.62 (3.91)	13.0 (5.90)	9.00 (4.08)	14.50 (6.58)	14.50 (6.58)
COND FAN	Propeller Type, Direct Drive								
Air Discharge	Vertical								Vertical
Air Qty (CFM)	1881	2614	2614	3223	3810	4046	4046	4046	4046
Motor HP	1/12	1/10	1/10	1/12	1/5	1/4	1/4	1/4	1/4
Motor RPM	1100	1100	1100	800	800	800	800	800	800
COND COIL	Vertical								
Face Area (Sq ft)	11.50	15.10	17.20	17.60	25.15	25.15	25.15	30.15	30.15
Fins per In.	25	25	25	25	25	20	20	20	20
Rows	1	1	1	1	1	2	1	2	2
Circuits	3	4	4	4	6	7	7	8	8
VALVE CONNECT. (In. ID)									
Vapor	3/4	3/4	3/4	7/8	7/8	7/8	7/8	7/8	7/8
Liquid	3/8	3/8	3/8	3/8	3/8	3/8	3/8	3/8	3/8
REFRIGERANT TUBES (In. OD)									
Rated Vapor*	3/4			7/8			1-1/8		
Max Liquid Line †	3/8								

* Units are rated with 25 ft (7.6 m) of lineset length. See Vapor Line Sizing and Cooling Capacity Loss table when using other sizes and lengths of lineset.
Note: See unit Installation Instruction for proper installation.

† See *Liquid Line Sizing For Cooling Only Systems with Puron Refrigerant* tables.

REFRIGERANT PIPING LENGTH LIMITATIONS

Liquid Line Sizing and Maximum Total Equivalent Lengths† for Cooling Only Systems with Puron® Refrigerant:

The maximum allowable length of a residential split system depends on the liquid line diameter and vertical separation between indoor and outdoor units.

See Table below for liquid line sizing and maximum lengths :

Maximum Total Equivalent Length Outdoor Unit BELOW Indoor Unit

Size	Liquid Line Connection	Liquid Line Diam. w/ TXV	AC with Puron Refrigerant Maximum Total Equivalent Length†: Outdoor unit BELOW Indoor Vertical Separation ft (m)								
			0-5 (0-1.5)	6-10 (1.8-3.0)	11-20 (3.4-6.1)	21-30 (6.4-9.1)	31-40 (9.4-12.2)	41-50 (12.5-15.2)	51-60 (15.5-18.3)	61-70 (18.6-21.3)	71-80 (21.6-24.4)
18000 AC with Puron	3/8	1/4	150	150	125	100	100	75	--	--	--
		5/16	250*	250*	250*	250*	250*	250*	250*	225*	150
		3/8	250*	250*	250*	250*	250*	250*	250*	250*	250*
24000 AC with Puron	3/8	1/4	75	75	75	50	50	--	--	--	--
		5/16	250*	250*	250*	250*	250*	225*	175	125	100
		3/8	250*	250*	250*	250*	250*	250*	250*	250*	250*
30000 AC with Puron	3/8	1/4	30	--	--	--	--	--	--	--	--
		5/16	175	225*	200	175	125	100	75	--	--
		3/8	250*	250*	250*	250*	250*	250*	250*	250*	250*
36000 AC with Puron	3/8	5/16	175	150	150	100	100	100	75	--	--
		3/8	250*	250*	250*	250*	250*	250*	250*	250*	250*
42000 AC with Puron	3/8	5/16	125	100	100	75	75	50	--	--	--
		3/8	250*	250*	250*	250*	250*	250*	250*	250*	150
48000 AC with Puron	3/8	3/8	250*	250*	250*	250*	250*	250*	230	160	--
49000 AC with Puron	3/8	3/8	250*	250*	250*	250*	250*	250*	230	160	--
60000 AC with Puron	3/8	3/8	250*	250*	250*	225*	190	150	110	--	--
61000 AC with Puron	3/8	3/8	250*	250*	250*	225*	190	150	110	--	--

* Maximum actual length not to exceed 200 ft (61 m)

† Total equivalent length accounts for losses due to elbows or fitting. See the Long Line Guideline for details.

-- = outside acceptable range

Maximum Total Equivalent Length Outdoor Unit ABOVE Indoor Unit

Size	Liquid Line Connection	Liquid Line Diam. w/ TXV	AC with Puron Refrigerant Maximum Total Equivalent Length†: Outdoor unit ABOVE Indoor Vertical Separation ft (m)								
			25 (7.6)	26-50 (7.9-15.2)	51-75 (15.5-22.9)	76-100 (23.2-30.5)	101-125 (30.8-38.1)	126-150 (38.4-45.7)	151-175 (46.0-53.3)	176-200 (53.6-61.0)	
18000 AC with Puron	3/8	1/4	175	250*	250*	250*	250*	250*	250*	250*	250*
		5/16	250*	250*	250*	250*	250*	250*	250*	250*	250*
		3/8	250*	250*	250*	250*	250*	250*	250*	250*	250*
24000 AC with Puron	3/8	1/4	100	125	175	200	225*	250*	250*	250*	250*
		5/16	250*	250*	250*	250*	250*	250*	250*	250*	250*
		3/8	250*	250*	250*	250*	250*	250*	250*	250*	250*
30000 AC with Puron	3/8	1/4	30	--	--	--	--	--	--	--	--
		5/16	250*	250*	250*	250*	250*	250*	250*	250*	250*
		3/8	250*	250*	250*	250*	250*	250*	250*	250*	250*
36000 AC with Puron	3/8	5/16	225*	250*	250*	250*	250*	250*	250*	250*	250*
		3/8	250*	250*	250*	250*	250*	250*	250*	250*	250*
42000 AC with Puron	3/8	5/16	175	200	250*	250*	250*	250*	250*	250*	250*
		3/8	250*	250*	250*	250*	250*	250*	250*	250*	250*
48000 AC with Puron	3/8	3/8	250*	250*	250*	250*	250*	250*	250*	250*	250*
49000 AC with Puron	3/8	3/8	250*	250*	250*	250*	250*	250*	250*	250*	250*
60000 AC with Puron	3/8	3/8	250*	250*	250*	250*	250*	250*	250*	250*	250*
61000 AC with Puron	3/8	3/8	250*	250*	250*	250*	250*	250*	250*	250*	250*

* Maximum actual length not to exceed 200 ft (61 m)

† Total equivalent length accounts for losses due to elbows or fitting. See the Long Line Guideline for details.

-- = outside acceptable range

REFRIGERANT CHARGE ADJUSTMENTS

Liquid Line Size	Puron Charge oz/ft
3/8	0.60 (Factory charge for lineset = 9 oz)
5/16	0.40
1/4	0.27

Units are factory charged for 15 ft (4.6 m) of 3/8" liquid line. The factory charge for 3/8" lineset 9 oz. When using other length or diameter liquid lines, charge adjustments are required per the chart above.

Charging Formula:

[(Lineset oz/ft x total length) – (factory charge for lineset)] = charge adjustment

Example 1: System has 15 ft of line set using existing 1/4" liquid line. What charge adjustment is required?

Formula: (.27 oz/ft x 15ft) – (9 oz) = (-4.95) oz.

Net result is to remove 4.95 oz of refrigerant from the system

Example 2: System has 45 ft of existing 5/16" liquid line. What is the charge adjustment?

Formula: (.40 oz/ft. x 45ft) – (9 oz.) = 9 oz.

Net result is to add 9 oz of refrigerant to the system

LONG LINE APPLICATIONS

An application is considered Long Line, when the refrigerant level in the system requires the use of accessories to maintain acceptable refrigerant management for systems reliability. See Accessory Usage Guideline table for required accessories. Defining a system as long line depends on the liquid line diameter, actual length of the tubing, and vertical separation between the indoor and outdoor units.

For Air Conditioner systems, the chart below shows when an application is considered Long Line.

AC WITH PURON® REFRIGERANT LONG LINE DESCRIPTION ft (m) Beyond these lengths, long line accessories are required

Liquid Line Size	Units On Same Level	Outdoor Below Indoor	Outdoor Above Indoor
1/4	No accessories needed within allowed lengths	No accessories needed within allowed lengths	175 (53.3)
5/16	120 (36.6)	50 (15.2)	120 (36.6)
3/8	80 (24.4)	35 (10.7)	80 (24.4)

Note: See Long Line Guideline for details

VAPOR LINE SIZING AND COOLING CAPACITY LOSS

Acceptable vapor line diameters provide adequate oil return to the compressor while avoiding excessive capacity loss. The suction line diameters shown in the chart below are acceptable for AC systems with Puron refrigerant:

Unit Nominal Size (Btuh)	Maximum Liquid Line Diameters (In. OD)	Vapor Line Diameters (In. OD)	Cooling Capacity Loss (%) Total Equivalent Line Length ft. (m)								
			26–50 (7.9–15.2)	51–80 (15.5–24.4)	81–100 (24.7–30.5)	101–125 (30.8–38.1)	126–150 (38.4–45.7)	151–175 (46.0–53.3)	176–200 (53.6–61.0)	201–225 (61.3–68.6)	226–250 (68.9–76.2)
18000 1 Stage AC with Puron	3/8	1/2	1	2	3	5	6	7	8	9	11
		5/8	0	1	1	1	2	2	2	3	3
		3/4	0	0	0	0	1	1	1	1	1
24000 1 Stage AC with Puron	3/8	5/8	0	1	2	2	3	3	4	5	5
		3/4	0	0	1	1	1	1	1	2	2
		7/8	0	0	0	0	0	1	1	1	1
30000 1 Stage AC with Puron	3/8	5/8	1	2	3	3	4	5	6	7	8
		3/4	0	0	1	1	1	2	2	2	3
		7/8	0	0	0	0	1	1	1	1	1
36000 1 Stage AC with Puron	3/8	5/8	1	2	4	5	6	8	9	10	12
		3/4	0	1	1	2	2	3	3	4	4
		7/8	0	0	0	1	1	1	1	2	2
42000 1 Stage AC with Puron	3/8	3/4	0	1	2	2	3	4	4	5	6
		7/8	0	0	1	1	1	2	2	2	3
		1 1/8	0	0	0	0	0	0	0	0	0
48000, 49000 1 Stage AC with Puron	3/8	3/4	0	1	2	3	4	5	5	6	7
		7/8	0	0	1	1	2	2	2	3	3
		1 1/8	0	0	0	0	0	0	0	1	1
60000, 61000 1 Stage AC with Puron	3/8	3/4	1	2	4	5	6	7	9	10	11
		7/8	0	1	2	2	3	4	4	5	5
		1 1/8	0	0	0	1	1	1	1	1	1

Applications in this area may be long line and may have height restrictions. See the *Residential Piping and Long Line Guideline*.

ACCESSORY THERMOSTATS

PART NUMBER	PROGRAM	GAS	ELECTRIC	HEAT	COOL
T2-PAC01	5-2 Day	√	√	1	1
T2-NAC01	NP	√	√	1	1
T2SNAC01	NP	√	√	1	1

THERMOSTAT ACCESSORIES		
PART NUMBER	BRIEF DESCRIPTION	THERMOSTATS USED WITH
TSTATXXCNV10	Thermostat Conversion Kit (4 to 5 wire) – 10 pack	All Bryant® branded thermostats
TX-LBP01	Large Decorative Backplate	T6-Pxx, T6-Nxx, and T2-Pxx
TX-MBP01	Medium Decorative Backplate	T2-Nxx and T1-Pxx

ACCESSORIES

KIT NUMBER	DESCRIPTION	Unit Sizes – Series								
		018-B	024-A	030-A	036-A	042-A	048-B	049-A	060-A	061-A
HC32GE229	MOTOR FAN BALL BEARING				X					
HC32GE234	MOTOR FAN BALL BEARING	X								
HC34GE240	MOTOR FAN BALL BEARING		X	X						
HC38GE228	MOTOR FAN BALL BEARING					X				
HC40GE228	MOTOR FAN BALL BEARING						X	X	X	X
KAACH1201AAA	CRANKCASE HEATER						X	X		
KAACH1601AAA	CRANKCASE HEATER					X			S	S
KAACH1701AAA	CRANKCASE HEATER	X	X	X	X					
KAACS0201PTC	START ASSIST PTC	X	X	X	X	X	X	X	X	X
KAAFT0101AAA	FREEZE THERMOSTAT	X	X	X	X	X	X	X	X	X
KAAHI0501PUR	PRESSURE SWITCH	X	X	X	X	X	X	X	X	X
KAALP0401PUR	PRESSURE SWITCH	X	X	X	X	X	X	X	X	X
KAALS0201LLS	LIQUID LINE SOLENOID	X	X	X	X	X	X	X	X	X
KAATD0101TDR	TIME DELAY RELAY	X	X	X	X	X	X	X	X	X
KAAWS0101AAA	WINTER START KIT	X	X	X	X	X	X	X	X	X
KSACY0101AAA	CYCLE PROTECTOR	X	X	X	X	X	X	X	X	X
KSAS1701AAA	HARD START (CAP/RELAY)	X	X	X	X	X	X	X	X	X
KSALA0301410	LOW AMBIENT KIT	X	X	X	X	X	X	X	X	X
KSALA0601AAA†	MOTORMASTER 230V	X	X	X	X	X	X	X	X	X
KSASF0101AAA	SUPPORT FEET		X	X	X	X	X	X	X	X
KSASF0201AAA	SUPPORT FEET	X								
KSASH0601COP	SOUND BLKT KIT	X	X	X	X		X	X		
KSASH2101COP	SOUND BLKT KIT					X			X	X
KSATX0201PUR	TXV PURON HSO	X	X	X						
KSATX0301PUR	TXV PURON HSO				X					
KSATX0401PUR	TXV PURON HSO					X	X	X		
KSATX0501PUR	TXV PURON HSO								X	X
KSBTX0201PUR	TXV PURON HSO	X	X	X						
KSBTX0301PUR	TXV PURON HSO				X					
KSBTX0401PUR	TXV PURON HSO					X	X	X		

† Required accessories include ball bearing fan motor, compressor start assist (CAP / Relay), crankcase heater, evaporator freeze stat, hard shut-off TXV.
 X = Accessory / S – Standard

ACCESSORY USAGE GUIDELINE

ACCESSORY	REQUIRED FOR LOW-AMBI- ENT COOLING APPLICATIONS (Below 55°F/12.8°C)	REQUIRED FOR LONG LINE APPLICATIONS* (Over 80 ft./24.38 m)	REQUIRED FOR SEA COAST APPLICATIONS (Within 2 miles/3.22 km)
Ball Bearing Fan Motor	Yes†	No	No
Compressor Start Assist Capacitor and Relay	Yes	Yes	No
Crankcase Heater	Yes	Yes	No
Evaporator Freeze Thermostat	Yes	No	No
Hard Shut-Off TXV	Yes	Yes	Yes
Liquid Line Solenoid Valve	No	No	No
Motor Master® Control or Low-ambient Pressure Switch	Yes	No	No
Support Feet	Recommended	No	Recommended
Winter Start Control	Yes	No	No

* For tubing line sets between 80 and 200 ft. (24.38 and 60.96 m) and/or 20 ft. (6.09 m) vertical differential, refer to Residential Split-System Longline Application Guideline.

† Required for Low-Ambient Controller (full modulation feature) MotorMaster® Control.

Accessory Description and Usage (Listed Alphabetically)

1. Ball-Bearing Fan Motor

A fan motor with ball bearings which permits speed reduction while maintaining bearing lubrication.

Usage Guideline:

Required on all units when MotorMaster® is used.

2. Compressor Start Assist - Capacitor and Relay

Start capacitor and relay gives a "hard" boost to compressor motor at each start up.

Usage Guideline:

Required for reciprocating compressors in the following applications:

- Long line
- Low ambient cooling
- Hard shut off expansion valve on indoor coil
- Liquid line solenoid on indoor coil

Required for single-phase scroll compressors in the following applications:

- Long line
- Low ambient cooling

Suggested for all compressors in areas with a history of low voltage problems.

3. Compressor Start Assist — PTC Type

Solid state electrical device which gives a "soft" boost to the compressor at each start-up.

Usage Guideline:

Suggested in installations with marginal power supply.

4. Crankcase Heater

An electric resistance heater which mounts to the base of the compressor to keep the lubricant warm during off cycles. Improves compressor lubrication on restart and minimizes the chance of liquid slugging.

Usage Guideline:

- Required in low ambient cooling applications.
- Required in long line applications.
- Suggested in all commercial applications.

5. Cycle Protector

The cycle protector is designed to prevent compressor short cycling. This control provides an approximate 5-minute delay after power to the compressor has been interrupted for any reason, including power outage, protector control trip, thermostat jiggling, or normal cycling.

6. Evaporator Freeze Thermostat

An SPST temperature-actuated switch that stops unit operation when evaporator reaches freeze-up conditions.

Usage Guideline:

Required when low ambient kit has been added.

7. Low-Ambient Pressure Switch Kit

A long life pressure switch which is mounted to outdoor unit service valve. It is designed to cycle the outdoor fan motor in order to maintain head pressure within normal operating limits (approximately 100 psig to 225 psig). The control will maintain working head pressure at low-ambient temperatures down to 0°F (-18°C) when properly installed.

Usage Guideline:

A Low-Ambient Pressure Switch or MotorMaster® Low-Ambient Controller must be used when cooling operation is used at outdoor temperatures below 55°F (12.8°C).

8. MotorMaster® Low-Ambient Controller

A fan-speed control device activated by a temperature sensor, designed to control condenser fan motor speed in response to the saturated, condensing temperature during operation in cooling mode only. For outdoor temperatures down to -20°F (-28.9°C), it maintains condensing temperature at 100°F ±10°F (37.8°C ± 5.5°C).

Usage Guideline:

A MotorMaster® Low Ambient Controller or Low-Ambient Pressure Switch must be used when cooling operation is used at outdoor temperatures below 55°F (12.8°C).

Suggested for all commercial applications.

9. Outdoor Air Temperature Sensor

Designed for use with Bryant Thermostats listed in this publication. This device enables the thermostat to display the outdoor temperature. This device also

is required to enable special thermostat features such as auxiliary heat lock out.

Usage Guideline:

Suggested for all Bryant thermostats listed in this publication.

Accessory Description and Usage (Listed Alphabetically) (Continued)

10. Sound Hood

Wraparound sound reducing cover for the compressor. Reduces the sound level by about 2 dBA.

Usage Guideline:

Suggested when unit is installed closer than 15 ft (4.57 m) to quiet areas, bedrooms, etc.

Suggested when unit is installed between two houses less than 10 ft (3.05 m) apart.

11. Support Feet

Four stick-on plastic feet that raise the unit 4 in. (101.6 mm) above the mounting pad. This allows sand, dirt, and other debris to be flushed from the unit base, minimizing corrosion.

Usage Guideline:

Suggested in the following applications:

Coastal installations.

Windy areas or where debris is normally circulating.

Rooftop installations.

For improved sound ratings.

12. Thermostatic Expansion Valve (TXV)

A modulating flow-control valve which meters refrigerant liquid flow rate into the evaporator in response to the superheat of the refrigerant gas leaving the evaporator.

Kit includes valve, adapter tubes, and external equalizer tube. Hard shut off types are available.

NOTE: When using a hard shut off TXV with single phase reciprocating compressors, a Compressor Start Assist Capacitor and Relay is required.

Usage Guideline:

Required to achieve AHRI ratings in certain equipment combinations. Refer to combination ratings.

Hard shut off TXV or LLS required in air conditioner long line applications.

Required for use on all zoning systems.

13. Time-Delay Relay

An SPST delay relay which briefly continues operation of indoor blower motor to provide additional cooling after the compressor cycles off.

NOTE: Most indoor unit controls include this feature. For those that do not, use the guideline below.

Usage Guideline:

For improved efficiency ratings for certain combinations of indoor and outdoor units. Refer to AHRI Unitary Directory.

14. Winter Start Control

This control is designed to alleviate nuisance opening of the low-pressure switch by bypassing it for the first 3 minutes of operation.

ELECTRICAL DATA

UNIT SIZE	V/PH	OPER VOLTS*		COMPR		FAN	MCA	MAX FUSE** or CKT BRK AMPS
		MAX	MIN	LRA	RLA	FLA		
018-B	208/230/1-60	253	197	48.0	9.0	0.50	11.8	20
024-A				58.3	13.5	0.75	17.7	30
030-A				64.0	12.8	0.75	16.8	25
036-A				77.0	14.1	0.50	18.1	30
042-A				112.0	17.9	1.20	23.6	40
048-B				109.0	19.9	1.20	26.1	40
049-A				117.0	21.8	1.20	28.4	40
060-A				135.0	21.4	1.20	28.0	40
061-A				134.0	25.0	1.20	32.5	50

* Permissible limits of the voltage range at which the unit will operate satisfactorily

** Time-Delay fuse.

FLA - Full Load Amps

LRA - Locked Rotor Amps

MCA - Minimum Circuit Amps

RLA - Rated Load Amps

NOTE: Control circuit is 24-V on all units and requires external power source. Copper wire must be used from service disconnect to unit. All motors/compressors contain internal overload protection.

Complies with 2007 requirements of ASHRAE Standards 90.1

A-WEIGHTED SOUND POWER LEVEL (dBA)

Unit Size - Voltage, Series	Standard Rating (dBA)	TYPICAL OCTAVE BAND SPECTRUM (dBA without tone adjustment)						
		125	250	500	1000	2000	4000	8000
0018-B	76	52.5	59.0	65.5	70.5	64.5	59.0	54.5
0024-A	76	57.5	64.0	69.0	71.0	69.0	64.5	60.0
0030-A	76	55.0	63.5	68.0	69.5	67.0	63.5	58.5
0036-A	76	50.5	59.5	64.5	70.5	62.0	59.5	54.5
0042-A	78	52.5	62.0	66.0	73.5	68.0	62.0	55.5
0048-B	78	57.5	61.5	66.0	70.5	65.5	59.5	53.5
0049-A	78	51.5	62.0	67.5	73.5	69.0	64.5	62.0
0060-A	78	55.0	62.5	67.5	70.5	65.0	61.0	53.5
0061-A	78	56.5	63.0	65.5	69.0	67.0	61.5	56.0

NOTE: Tested in accordance with AHRI Standard 270-08 (not listed in AHRI).

A-WEIGHTED SOUND POWER LEVEL (dBA) WITH SOUND SHIELD

Unit Size - Voltage, Series	Standard Rating (dBA)	TYPICAL OCTAVE BAND SPECTRUM (dBA without tone adjustment)						
		125	250	500	1000	2000	4000	8000
0018-B	74	55.5	59.0	65.0	68.5	63.5	58.0	52.0
0024-A	75	58.0	64.0	69.0	70.5	68.5	64.5	59.5
0030-A	75	55.5	63.0	68.0	69.0	67.0	63.0	58.5
0036-A	74	51.5	58.5	62.0	65.0	61.0	58.0	52.0
0042-A	76	53.0	62.0	65.5	72.0	65.0	61.0	54.0
0048-B	76	58.5	61.5	66.0	69.0	64.0	58.5	51.0
0049-A	76	53.0	61.5	67.5	72.0	68.0	61.5	59.0
0060-A	75	56.5	62.5	66.5	68.0	63.0	59.5	51.5
0061-A	75	57.0	63.0	65.5	67.0	65.5	59.0	52.5

NOTE: Tested in accordance with AHRI Standard 270-08 (not listed in AHRI).

CHARGING SUBCOOLING (TXV-TYPE EXPANSION DEVICE)

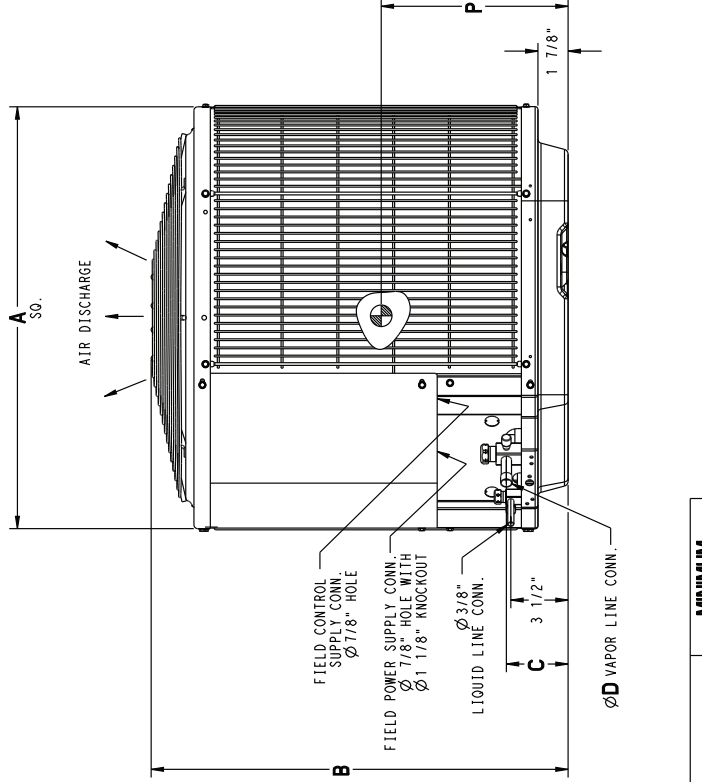
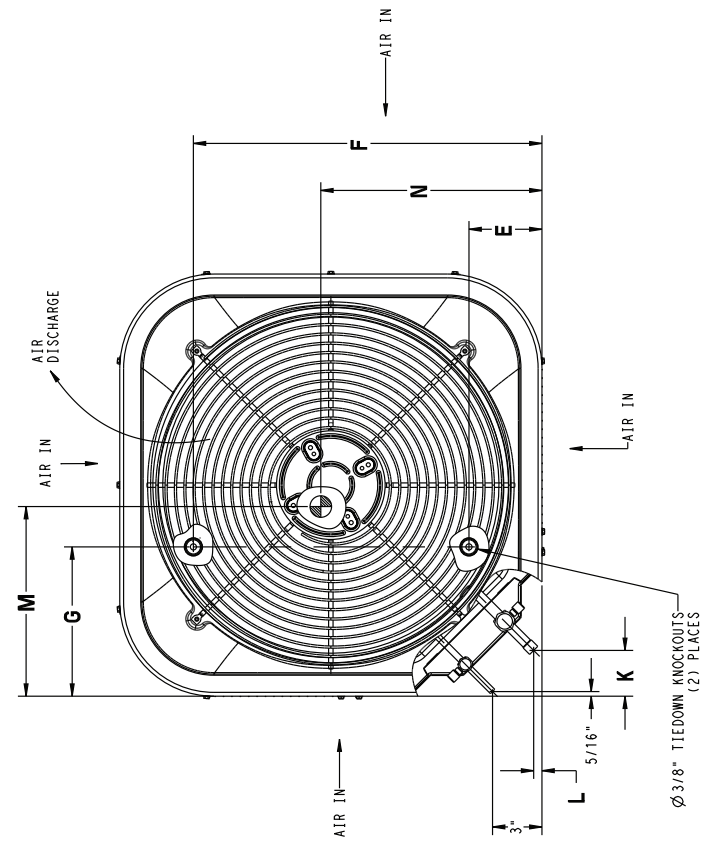
UNIT SIZE - VOLTAGE, SERIES	REQUIRED SUBCOOLING °F (°C)
018-B	10 (5.6)
024-A	10 (5.6)
030-A	10 (5.6)
036-A	10 (5.6)
042-A	9 (5.0)
048-B	8 (4.4)
049-A	8 (4.4)
060-A	9 (5.0)
061-A	9 (5.0)

DIMENSIONS - ENGLISH

UNIT	SERIES	ELECTRICAL CHARACTERISTICS	A	B	C	D	E	F	G	K	L	M	N	P	OPERATING WEIGHT (lbs)	SHIPPING WEIGHT (lbs)	SHIPPING DIMENSIONS (L x W x H)
116BNA018	B	X 0 0	25 3/4"	28 11/16"	3 3/4"	3/4"	4 7/16"	21 1/4"	7 13/16"	2 13/16"	1/2"	13 5/8"	13 1/2"	12 3/4"	125	154	26 7/8" X 30 1/16" X 32 9/16"
116BNA024	A	X 0 0	31 3/16"	28 5/16"	3 3/4"	3/4"	6 9/16"	24 11/16"	9 1/8"	2 13/16"	1/2"	16"	16"	13"	147	183	32 3/8" X 35 1/2" X 32 9/16"
116BNA030	A	X 0 0	31 3/16"	32 5/16"	3 3/4"	3/4"	6 9/16"	24 11/16"	9 1/8"	2 13/16"	1/2"	15 1/2"	16"	14 1/4"	153	188	32 3/8" X 35 1/2" X 35 15/16"
116BNA036	A	X 0 0	35"	28 5/16"	3 7/8"	7/8"	6 9/16"	28 7/16"	9 1/8"	2 15/16"	5/8"	16"	16"	13"	165	204	36 1/8" X 39 5/16" X 32 9/16"
116BNA042	A	X 0 0	35"	39 1/8"	3 7/8"	7/8"	6 9/16"	28 7/16"	9 1/8"	2 15/16"	5/8"	16 1/2"	17 1/2"	17 1/2"	213	254	36 1/8" X 39 5/16" X 42 3/4"
116BNA048	B	X 0 0	35"	39 1/8"	3 7/8"	7/8"	6 9/16"	28 7/16"	9 1/8"	2 15/16"	5/8"	16 1/2"	16 1/2"	15"	264	317	36 1/8" X 39 5/16" X 42 3/4"
116BNA049	A	X 0 0	35"	39 1/8"	3 7/8"	7/8"	6 9/16"	28 7/16"	9 1/8"	2 15/16"	5/8"	17 1/2"	16 1/2"	15"	231	269	36 1/8" X 39 5/16" X 42 3/4"
116BNA060	A	X 0 0	35"	45 15/16"	3 7/8"	7/8"	6 9/16"	28 7/16"	9 1/8"	2 15/16"	5/8"	16 1/2"	17"	16 1/4"	272	310	36 1/8" X 39 5/16" X 49 9/16"
116BNA061	A	X 0 0	35"	45 15/16"	3 7/8"	7/8"	6 9/16"	28 7/16"	9 1/8"	2 15/16"	5/8"	16 1/2"	17"	16 1/4"	272	310	36 1/8" X 39 5/16" X 49 9/16"

X = YES
O = NO

208-230-160	230-160	208/230-3-60	460-3-60
-------------	---------	--------------	----------



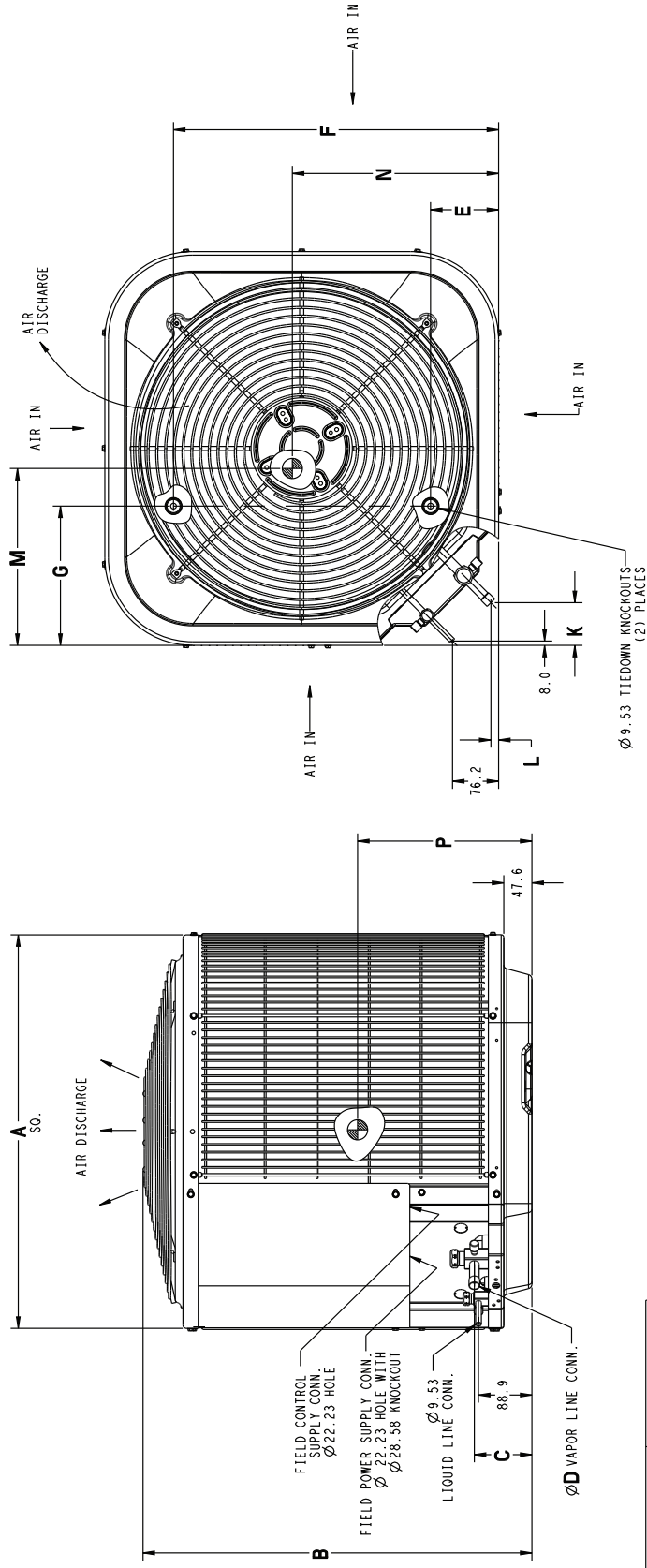
UNIT SIZE	MINIMUM MOUNTING PAD DIMENSIONS
18	26" X 26"
24, 30	31 1/2" X 31 1/2"
36, 48, 49, 60, 61	35" X 35"

DIMENSIONS - SI

UNIT	SERIES	ELECTRICAL CHARACTERISTICS	A	B	C	D	E	F	G	K	L	M	N	P	OPERATING WEIGHT (Kgs)	SHIPPING WEIGHT (Kgs)	SHIPPING DIMENSIONS (L x W x H)
116BMA018	B	X 0 0 0	654.0	728.7	95.2	19.0	112.7	539.8	198.4	71.4	12.7	346.1	342.9	323.9	56.7	69.9	682.6 X 763.6 X 827.1
116BMA024	A	X 0 0 0	792.2	719.2	95.2	19.0	166.7	627.1	231.8	71.4	12.7	406.4	406.4	330.2	66.5	82.8	822.3 X 901.7 X 827.1
116BMA030	A	X 0 0 0	792.2	820.8	95.2	19.0	166.7	627.1	231.8	71.4	12.7	393.7	406.4	382.0	69.3	85.2	822.3 X 901.7 X 912.8
116BMA036	A	X 0 0 0	889.0	719.2	98.6	22.2	166.7	722.3	231.8	74.6	15.9	406.4	406.4	330.2	74.8	92.5	917.6 X 998.6 X 827.1
116BMA042	A	X 0 0 0	889.0	993.8	98.6	22.2	166.7	722.3	231.8	74.6	15.9	419.1	444.5	444.5	96.4	115.2	917.6 X 998.6 X 1085.8
116BMA048	B	X 0 0 0	889.0	993.8	98.6	22.2	166.7	722.3	231.8	74.6	15.9	419.1	419.1	381.0	119.7	143.8	917.6 X 998.6 X 1085.8
116BMA049	A	X 0 0 0	889.0	993.8	98.6	22.2	166.7	722.3	231.8	74.6	15.9	444.5	419.1	381.0	104.8	122.0	917.6 X 998.6 X 1085.8
116BMA060	A	X 0 0 0	889.0	1166.8	98.6	22.2	166.7	722.3	231.8	74.6	15.9	419.1	431.8	412.8	123.4	140.6	917.6 X 998.6 X 1238.9
116BMA061	A	X 0 0 0	889.0	1166.8	98.6	22.2	166.7	722.3	231.8	74.6	15.9	419.1	431.8	412.8	123.4	140.6	917.6 X 998.6 X 1238.9

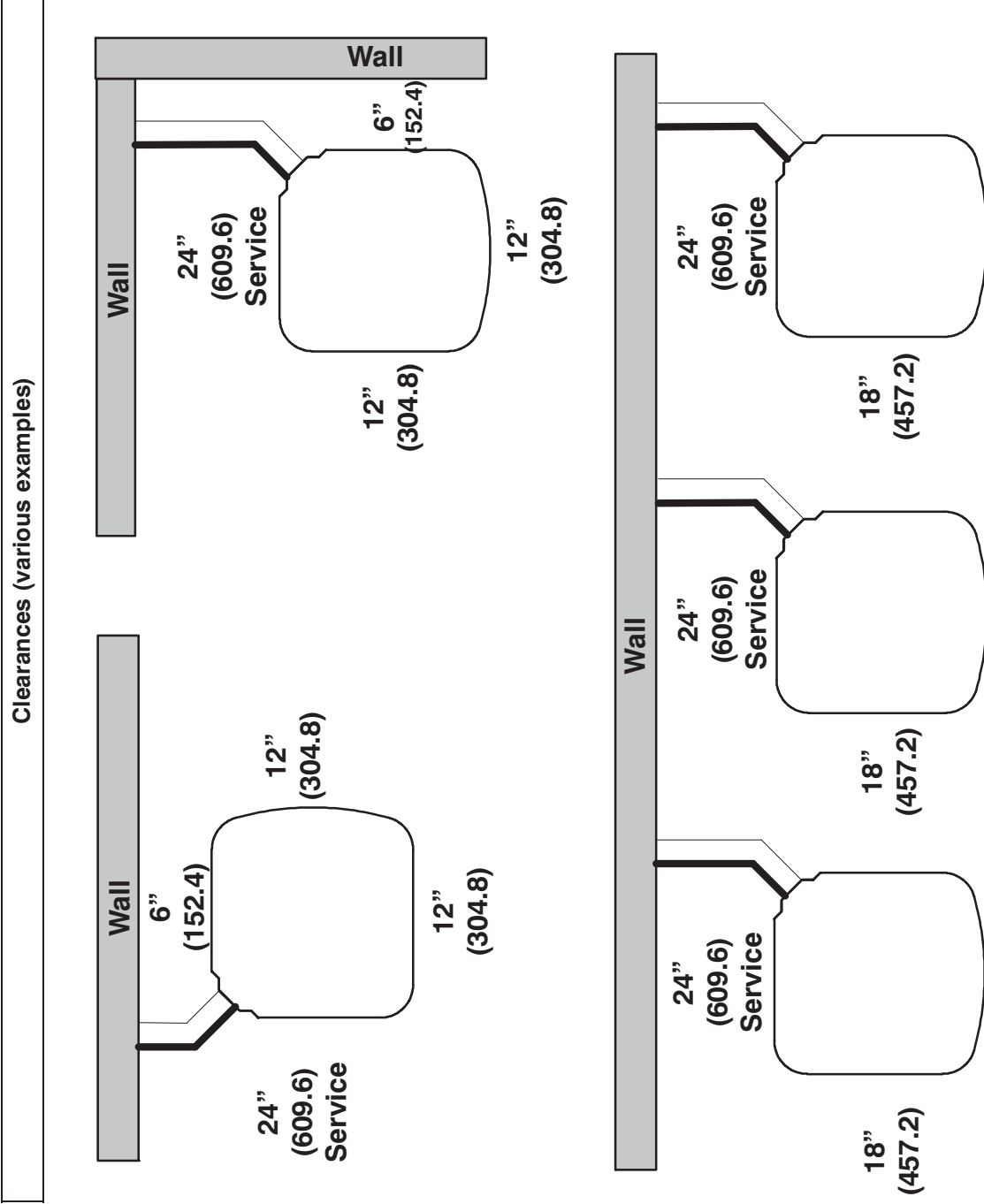
208-230-160	230-160	208/230-3-60	460-3-60
-------------	---------	--------------	----------

X = YES
O = NO



UNIT SIZE	MINIMUM MOUNTING PAD DIMENSIONS
18	660.4 X 660.4
24,30	800.1 X 800.1
36, 48, 49, 60, 61	889.0 X 889.0

CLEARANCES



Note: Numbers in () = mm

IMPORTANT: When installing multiple units in an alcove, roof well, or partially enclosed area, ensure there is adequate ventilation to prevent re-circulation of discharge air.

TESTED AHRI COMBINATION RATINGS*

NOTE: Ratings contained in this document are subject to change at any time.

For AHRI ratings certificates, please refer to the AHRI directory www.ahridirectory.org

Additional ratings and system combinations can be accessed via the Bryant database at: www.MyBryantRatings.com

For performance data at specific application &/or design conditions with various indoor unit combinations, the equipment performance calculator can be accessed at : <http://rpmobbry.wrightsoft.com/>

Model Number	INDOOR COIL MODEL NUMBER	FURNACE MODEL	COOLING CAPACITY	EER	SEER
116BNA018****B	CNPV*1917AL*+TDR		18,000	12.0	14.5
116BNA024****A	CNPV*3117AL*+TDR		23,600	12.0	14.5
116BNA030****A	CNPV*3117AL*+TDR		28,600	12.0	14.5
116BNA036****A	CNPV*3717AL*+TDR		34,400	12.0	14.5
116BNA042****A	CNPV*4324AL*+TDR		41,500	12.0	14.5
116BNA048****B	CAP**6024AL*+TDR		46,000	12.5	14.5
116BNA049****A	CAP**6024AL*+TDR		48,000	11.7	14.0
116BNA060****A	CNPV*6124AL*+TDR		56,000	12.5	15.0
116BNA061****A	CNPV*6124AL*+TDR		59,500	12.0	14.5

* AHRI = Air Conditioning, Heating & Refrigeration Institute

EER — Energy Efficiency Ratio

SEER — Seasonal Energy Efficiency Ratio

NOTES:

1. Ratings are net values reflecting the effects of circulating fan motor heat. Supplemental electric heat is not included.
2. Tested outdoor/indoor combinations have been tested in accordance with DOE test procedures for central air conditioners. Ratings for other combinations are determined under DOE computer simulation procedures.
3. Determine actual CFM values obtainable for your system by referring to fan performance data in fan coil or furnace coil literature.
4. Do not apply with capillary tube coils as performance and reliability are affected.

DETAILED COOLING CAPACITIES#

EVAPORATOR AIR		CONDENSER ENTERING AIR TEMPERATURES ° F (° C)																	
CFM	EWB ° F (° C)	75 (23.9)			85 (29.4)			95 (35)			105 (40.6)			115 (46.1)			125 (51.7)		
		Capacity MBtu/h	Total System KW**	Sens†	Capacity MBtu/h	Total System KW**	Sens†	Capacity MBtu/h	Total System KW**	Sens†	Capacity MBtu/h	Total System KW**	Sens†	Capacity MBtu/h	Total System KW**	Sens†	Capacity MBtu/h	Total System KW**	Sens†
525	72 (22.2)	21.52	1.18	10.39	20.55	1.05	10.05	19.48	0.98	9.68	18.35	9.29	1.65	17.15	8.88	1.84	15.88	8.46	2.06
	67 (19.4)	19.59	1.18	12.69	18.66	1.32	12.32	17.68	1.19	11.95	16.64	11.56	1.64	15.54	11.14	1.83	14.37	10.72	2.05
	63 (17.2)††	18.14	1.18	12.20	17.28	1.18	11.84	16.37	1.47	11.47	15.40	11.07	1.63	14.37	10.66	1.82	13.27	10.22	2.04
	62 (16.7)	17.80	1.18	14.92	16.97	1.31	14.56	16.08	1.48	14.18	15.17	13.78	1.63	14.30	14.30	1.82	13.42	13.42	2.04
	57 (13.9)	17.19	1.18	16.54	16.54	1.31	16.54	15.84	1.46	15.84	15.09	15.09	1.63	14.27	14.27	1.82	13.40	13.40	2.04
600	72 (22.2)	21.94	1.21	10.93	20.92	1.35	10.58	19.82	1.21	10.21	18.63	9.81	1.68	17.39	9.40	1.87	16.07	8.97	2.09
	67 (19.4)	19.99	1.20	13.55	19.03	1.39	13.19	18.00	1.50	12.80	16.92	12.40	1.67	15.78	11.98	1.86	14.57	11.54	2.08
	63 (17.2)††	18.55	1.20	13.02	17.64	1.34	12.65	16.68	1.49	12.26	15.68	11.86	1.66	14.60	11.44	1.85	13.47	10.99	2.07
	62 (16.7)	18.25	1.20	16.11	17.39	1.34	16.55	16.55	1.49	15.74	15.74	15.74	1.66	14.87	14.87	1.85	13.93	13.93	2.07
	57 (13.9)	17.99	1.20	17.99	17.28	1.34	16.53	16.53	1.49	15.72	15.72	15.72	1.66	14.85	14.85	1.85	13.91	13.91	2.07
675	72 (22.2)	22.24	1.23	11.45	21.19	1.09	11.09	20.06	1.54	10.72	18.83	10.32	1.71	17.55	9.90	1.90	16.20	9.47	2.12
	67 (19.4)	20.29	1.23	14.38	19.30	1.01	13.92	18.24	1.53	13.62	17.13	13.22	1.70	15.95	12.79	1.89	14.72	12.84	2.10
	63 (17.2)††	18.85	1.23	13.79	17.91	1.37	13.42	16.92	1.52	13.03	15.88	12.61	1.69	14.78	12.18	1.88	13.63	11.73	2.10
	62 (16.7)	18.68	1.23	16.68	17.93	1.37	17.12	17.12	1.52	16.26	16.26	16.26	1.69	15.33	15.33	1.88	14.35	14.35	2.10
	57 (13.9)	18.66	1.23	18.66	17.90	1.37	17.90	17.09	1.52	16.24	16.24	16.24	1.69	15.31	15.31	1.88	14.33	14.33	2.10

EVAPORATOR AIR		CONDENSER ENTERING AIR TEMPERATURES ° F (° C)																	
CFM	EWB ° F (° C)	75 (23.9)			85 (29.4)			95 (35)			105 (40.6)			115 (46.1)			125 (51.7)		
		Capacity MBtu/h	Total System KW**	Sens†	Capacity MBtu/h	Total System KW**	Sens†	Capacity MBtu/h	Total System KW**	Sens†	Capacity MBtu/h	Total System KW**	Sens†	Capacity MBtu/h	Total System KW**	Sens†	Capacity MBtu/h	Total System KW**	Sens†
700	72 (22.2)	28.21	1.55	13.70	26.92	1.25	13.25	25.54	1.74	12.78	24.09	12.29	2.16	22.56	11.77	2.41	20.94	11.24	2.68
	67 (19.4)	25.68	1.55	16.78	24.44	1.55	16.32	23.19	1.73	15.85	21.87	15.36	2.15	20.47	14.84	2.39	18.98	14.29	2.67
	63 (17.2)††	23.72	1.55	16.13	22.62	1.57	15.67	21.46	1.93	15.20	20.22	14.70	2.14	18.91	14.18	2.38	17.52	13.62	2.67
	62 (16.7)	23.32	1.55	19.80	22.25	1.55	19.34	21.14	1.86	18.66	19.92	19.96	2.14	18.95	18.95	2.38	17.82	17.82	2.67
	57 (13.9)	22.68	1.55	22.68	22.68	1.55	22.68	20.93	1.92	19.96	19.96	19.96	2.14	18.92	18.92	2.38	17.79	17.79	2.67
800	72 (22.2)	28.72	1.58	14.43	27.38	1.37	13.97	25.95	1.77	13.49	24.44	12.99	2.20	22.85	12.47	2.44	21.17	11.93	2.72
	67 (19.4)	26.16	1.58	17.95	24.91	1.77	17.49	23.60	1.97	17.00	22.22	16.49	2.19	20.76	15.96	2.43	19.23	15.41	2.71
	63 (17.2)††	24.23	1.58	17.22	23.08	1.65	16.75	21.86	1.96	16.27	20.58	15.76	2.18	19.21	15.22	2.42	17.78	14.66	2.70
	62 (16.7)	23.91	1.58	21.38	22.85	1.62	21.74	21.85	1.96	20.81	20.81	20.81	2.18	19.69	19.69	2.42	18.49	18.49	2.71
	57 (13.9)	23.70	1.58	23.70	22.79	1.76	22.79	21.82	1.96	20.78	20.78	20.78	2.18	19.66	19.66	2.43	18.46	18.46	2.71
900	72 (22.2)	29.09	1.62	15.12	27.72	1.47	14.67	26.23	1.81	14.18	24.68	13.67	2.24	23.05	13.15	2.48	21.32	12.60	2.76
	67 (19.4)	26.54	1.62	19.08	25.25	1.60	18.60	23.90	1.81	18.11	22.48	17.59	2.22	20.98	17.05	2.47	19.42	16.48	2.75
	63 (17.2)††	24.61	1.62	18.27	23.42	1.79	17.79	22.16	1.80	17.30	20.84	16.78	2.22	19.45	16.23	2.46	17.98	15.65	2.74
	62 (16.7)	24.60	1.62	24.60	23.62	1.80	23.62	22.58	2.00	21.48	21.48	21.48	2.22	20.29	20.29	2.47	19.02	19.02	2.75
	57 (13.9)	24.56	1.62	24.56	23.59	1.80	23.59	22.55	2.00	21.45	21.45	21.45	2.22	20.27	20.27	2.47	18.99	18.99	2.75

See notes on pg. 17

DETAILED COOLING CAPACITIES# (CONT.)

EVAPORATOR AIR		CONDENSER ENTERING AIR TEMPERATURES ° F (° C)																	
		75 (23.9)			85 (29.4)			95 (35)			105 (40.6)			115 (46.1)			125 (51.7)		
		CFM	EWB ° F (° C)	Capacity MBtu/h		Total System KW**	Capacity MBtu/h		Total System KW**	Capacity MBtu/h		Total System KW**	Capacity MBtu/h		Total System KW**	Capacity MBtu/h		Total System KW**	
Total	Sens†			Total	Sens†		Total	Sens†		Total	Sens†		Total	Sens†		Total	Sens†		
116BNA030***A Outdoor Section With CNPV*3117A** Indoor Section																			
875	72 (22.2)	34.09	16.61	1.91	32.58	16.09	2.11	31.00	15.56	2.33	29.32	15.00	2.59	27.51	14.40	2.88	25.53	13.76	3.22
	67 (19.4)	30.99	20.47	1.92	29.61	19.95	2.12	28.16	19.41	2.34	26.61	18.84	2.59	24.93	18.23	2.88	23.10	17.56	3.22
	63 (17.2)††	28.76	19.68	1.93	27.47	19.16	2.12	26.11	18.61	2.34	24.65	18.03	2.59	23.07	17.41	2.88	21.33	16.73	3.22
	62 (16.7)	28.31	24.28	1.93	27.08	23.74	2.12	25.80	23.16	2.34	24.56	24.56	2.59	23.28	23.28	2.88	21.87	21.87	3.21
	57 (13.9)	27.76	27.76	1.93	26.76	26.76	2.12	25.69	25.69	2.34	24.52	24.52	2.59	23.25	23.25	2.88	21.83	21.83	3.21
1000	72 (22.2)	34.67	17.49	1.96	33.09	16.96	2.15	31.45	16.42	2.38	29.71	15.86	2.63	27.83	15.25	2.93	25.79	14.60	3.26
	67 (19.4)	31.55	21.88	1.97	30.10	21.35	2.16	28.60	20.80	2.38	27.00	20.22	2.64	25.27	19.60	2.93	23.39	18.92	3.26
	63 (17.2)††	29.30	20.99	1.97	27.95	20.46	2.17	26.55	19.90	2.39	25.04	19.31	2.64	23.40	18.68	2.93	21.63	17.98	3.26
	62 (16.7)	29.03	28.77	1.97	27.89	27.89	2.16	26.74	26.74	2.39	25.50	25.50	2.64	24.14	24.14	2.93	22.64	22.64	3.26
	57 (13.9)	28.93	28.93	1.97	27.84	27.84	2.16	26.70	26.70	2.39	25.46	25.46	2.64	24.11	24.11	2.93	22.61	22.61	3.26
1125	72 (22.2)	35.09	18.33	2.00	33.45	17.80	2.20	31.76	17.25	2.42	29.97	16.67	2.68	28.04	16.06	2.97	25.96	15.41	3.31
	67 (19.4)	31.96	23.24	2.01	30.47	22.70	2.21	28.93	22.14	2.43	27.29	21.54	2.68	25.52	20.90	2.97	23.62	20.20	3.31
	63 (17.2)††	29.70	22.25	2.02	28.32	21.71	2.21	26.87	21.14	2.43	25.32	20.53	2.69	23.66	19.88	2.98	21.87	19.15	3.31
	62 (16.7)	29.93	29.93	2.02	28.78	28.78	2.21	27.57	27.57	2.43	26.26	26.26	2.68	24.83	24.83	2.97	23.26	23.26	3.31
	57 (13.9)	29.89	29.89	2.02	28.74	28.74	2.21	27.53	27.53	2.43	26.22	26.22	2.68	24.80	24.80	2.97	23.23	23.23	3.31

EVAPORATOR AIR		CONDENSER ENTERING AIR TEMPERATURES ° F (° C)																	
		75 (23.9)			85 (29.4)			95 (35)			105 (40.6)			115 (46.1)			125 (51.7)		
		CFM	EWB ° F (° C)	Capacity MBtu/h		Total System KW**	Capacity MBtu/h		Total System KW**	Capacity MBtu/h		Total System KW**	Capacity MBtu/h		Total System KW**	Capacity MBtu/h		Total System KW**	
Total	Sens†			Total	Sens†		Total	Sens†		Total	Sens†		Total	Sens†		Total	Sens†		
116BNA030***A Outdoor Section With CNPV*3717A** Indoor Section																			
1050	72 (22.2)	41.06	20.24	2.39	39.22	19.60	2.65	37.27	18.94	2.95	35.20	18.24	3.28	33.01	17.50	3.66	30.65	16.73	4.11
	67 (19.4)	37.33	24.93	2.37	35.65	24.28	2.63	33.87	23.61	2.93	31.96	22.90	3.26	29.95	22.15	3.65	27.79	21.36	4.09
	63 (17.2)††	34.65	23.97	2.36	33.08	23.32	2.62	31.40	22.64	2.92	29.82	21.92	3.25	27.73	21.17	3.64	25.71	20.37	4.09
	62 (16.7)	34.09	29.55	2.36	32.58	28.89	2.62	31.00	28.17	2.91	29.47	29.47	3.25	27.95	27.95	3.64	26.29	26.29	4.09
	57 (13.9)	33.38	33.38	2.35	32.16	32.16	2.62	30.85	30.85	2.91	29.43	29.43	3.25	27.91	27.91	3.64	26.25	26.25	4.09
1200	72 (22.2)	41.77	21.32	2.45	39.84	20.66	2.72	37.82	19.99	3.01	35.67	19.28	3.35	33.39	18.53	3.73	30.96	17.75	4.17
	67 (19.4)	38.02	26.65	2.43	36.25	25.99	2.70	34.40	25.30	2.99	32.44	24.58	3.32	30.35	23.82	3.71	28.13	23.01	4.15
	63 (17.2)††	35.31	25.57	2.42	33.66	24.91	2.69	31.93	24.22	2.98	30.09	23.48	3.31	28.13	22.71	3.70	26.05	21.89	4.15
	62 (16.7)	34.94	31.83	2.42	33.53	33.53	2.69	32.12	32.12	2.98	30.60	30.60	3.32	28.97	28.97	3.70	27.21	27.21	4.15
	57 (13.9)	34.80	34.80	2.42	33.47	33.47	2.68	32.07	32.07	2.98	30.55	30.55	3.32	28.93	28.93	3.70	27.17	27.17	4.15
1350	72 (22.2)	42.28	22.34	2.52	40.29	21.68	2.78	38.19	20.99	3.08	35.98	20.27	3.41	33.65	19.52	3.79	31.16	18.72	4.23
	67 (19.4)	38.51	28.29	2.50	36.70	27.82	2.76	34.80	26.93	3.05	32.78	26.19	3.39	30.65	25.41	3.77	28.39	24.57	4.22
	63 (17.2)††	35.80	27.10	2.48	34.11	26.43	2.75	32.32	25.72	3.04	30.43	24.97	3.38	28.44	24.18	3.76	26.32	23.32	4.21
	62 (16.7)	36.01	36.01	2.48	34.61	34.61	2.75	33.12	33.12	3.05	31.51	31.51	3.38	29.80	29.80	3.77	27.94	27.94	4.21
	57 (13.9)	35.96	35.96	2.48	34.56	34.56	2.75	33.08	33.08	3.04	31.47	31.47	3.38	29.76	29.76	3.77	27.91	27.91	4.21

See notes on pg. 17

DETAILED COOLING CAPACITIES# (CONT.)

EVAPORATOR AIR		CONDENSER ENTERING AIR TEMPERATURES ° F (° C)																	
CFM	EWB ° F (° C)	75 (23.9)			85 (29.4)			95 (35)			105 (40.6)			115 (46.1)			125 (51.7)		
		Capacity MBtu/h	Total System KW**	Sens†	Capacity MBtu/h	Total System KW**	Sens†	Capacity MBtu/h	Total System KW**	Sens†	Capacity MBtu/h	Total System KW**	Sens†	Capacity MBtu/h	Total System KW**	Sens†	Capacity MBtu/h	Total System KW**	Sens†
116BNA042***A Outdoor Section With CNPV*4324** Indoor Section																			
	72 (22.2)	49.58	24.05	2.77	47.31	23.28	3.07	44.88	22.46	3.42	42.30	21.59	3.80	39.58	20.70	4.23	36.71	19.77	4.70
	67 (19.4)	45.17	28.64	2.75	43.10	28.98	3.05	40.90	28.04	3.38	38.55	27.18	3.76	36.07	26.27	4.19	33.47	25.33	4.66
1225	63 (17.2)††	41.97	28.52	2.74	40.06	27.75	3.03	38.02	26.93	3.36	35.83	26.06	3.74	33.53	25.16	4.17	31.10	24.21	4.64
	62 (16.7)	41.32	35.16	2.74	39.49	34.36	3.03	37.56	33.49	3.36	35.85	35.65	3.74	33.78	33.78	4.17	31.76	31.76	4.64
	57 (13.9)	40.45	40.45	2.73	38.96	38.96	3.03	37.34	37.34	3.36	35.60	35.60	3.74	33.73	33.73	4.17	31.72	31.72	4.64
	72 (22.2)	50.40	25.29	2.85	48.02	24.50	3.15	45.48	23.66	3.49	42.82	22.79	3.87	39.99	21.88	4.30	37.02	20.94	4.77
	67 (19.4)	45.95	31.63	2.82	43.80	30.84	3.12	41.50	30.00	3.46	39.07	29.12	3.84	36.51	28.20	4.26	33.83	27.23	4.74
1400	63 (17.2)††	42.74	30.38	2.81	40.75	29.59	3.10	38.61	28.75	3.44	36.36	27.87	3.82	33.97	26.94	4.24	31.47	25.96	4.71
	62 (16.7)	42.31	37.80	2.81	40.55	40.55	3.10	38.82	38.82	3.44	36.94	36.94	3.82	34.93	34.93	4.25	32.78	32.78	4.72
	57 (13.9)	42.10	42.10	2.81	40.50	40.50	3.10	38.76	38.76	3.44	36.89	36.89	3.82	34.89	34.89	4.25	32.74	32.74	4.72
	72 (22.2)	50.98	26.46	2.92	48.52	25.86	3.22	45.91	24.82	3.56	43.16	23.93	3.95	40.25	23.01	4.37	37.22	22.06	4.85
	67 (19.4)	46.53	33.54	2.90	44.31	32.73	3.19	41.95	31.88	3.53	39.45	30.98	3.91	36.83	30.02	4.34	34.11	29.02	4.81
1575	63 (17.2)††	43.31	32.15	2.88	41.25	31.35	3.17	39.06	30.49	3.51	36.74	29.58	3.89	34.30	28.62	4.31	31.77	27.60	4.78
	62 (16.7)	43.52	43.52	2.88	41.82	41.82	3.18	39.96	39.96	3.52	37.98	37.98	3.90	35.86	35.86	4.33	33.58	33.58	4.80
	57 (13.9)	43.46	43.46	2.88	41.76	41.76	3.18	39.91	39.91	3.52	37.93	37.93	3.90	35.81	35.81	4.33	33.55	33.55	4.80

EVAPORATOR AIR		CONDENSER ENTERING AIR TEMPERATURES ° F (° C)																	
CFM	EWB ° F (° C)	75 (23.9)			85 (29.4)			95 (35)			105 (40.6)			115 (46.1)			125 (51.7)		
		Capacity MBtu/h	Total System KW**	Sens†	Capacity MBtu/h	Total System KW**	Sens†	Capacity MBtu/h	Total System KW**	Sens†	Capacity MBtu/h	Total System KW**	Sens†	Capacity MBtu/h	Total System KW**	Sens†	Capacity MBtu/h	Total System KW**	Sens†
116BNA048***B Outdoor Section With CAP**8024* Indoor Section																			
	72 (22.2)	55.71	27.90	2.67	52.91	26.91	3.09	50.01	25.90	3.52	47.00	24.87	3.95	43.85	23.81	4.41	40.51	22.69	4.89
	67 (19.4)	50.48	34.32	2.83	47.96	33.34	3.22	45.37	32.35	3.61	42.87	31.33	4.01	39.85	30.28	4.44	36.84	29.16	4.91
1400	63 (17.2)††	46.73	32.94	2.93	44.44	31.98	3.29	42.06	31.01	3.66	39.59	30.00	4.05	36.99	28.96	4.46	34.22	27.85	4.92
	62 (16.7)	45.93	40.65	2.94	43.75	39.65	3.30	41.55	41.29	3.66	39.51	39.51	4.04	37.39	37.39	4.46	35.08	35.08	4.91
	57 (13.9)	45.05	45.05	2.96	43.28	43.28	3.31	41.43	41.43	3.66	39.45	39.45	4.04	37.34	37.34	4.46	35.03	35.03	4.91
	72 (22.2)	56.66	29.33	2.72	53.70	28.32	3.15	50.67	27.29	3.59	47.54	26.24	4.03	44.26	25.15	4.49	40.81	24.02	4.98
	67 (19.4)	51.35	36.61	2.88	48.71	35.62	3.28	46.00	34.60	3.68	43.20	33.56	4.09	40.27	32.47	4.53	37.17	31.32	5.00
1600	63 (17.2)††	47.56	35.07	2.99	45.15	34.09	3.36	42.68	33.09	3.74	40.11	32.06	4.13	37.41	30.98	4.55	34.56	29.83	5.01
	62 (16.7)	47.06	46.71	3.00	45.06	45.06	3.36	43.04	43.04	3.73	40.91	40.91	4.12	38.62	38.62	4.54	36.15	36.15	5.00
	57 (13.9)	46.92	46.92	3.00	44.99	44.99	3.36	42.98	42.98	3.73	40.85	40.85	4.12	38.57	38.57	4.54	36.11	36.11	5.00
	72 (22.2)	57.33	30.68	2.77	54.27	29.85	3.22	51.13	28.60	3.66	47.88	27.53	4.11	44.52	26.43	4.57	40.96	25.28	5.07
	67 (19.4)	51.99	38.81	2.94	49.25	37.79	3.35	46.46	36.75	3.76	43.57	35.67	4.17	40.57	34.55	4.62	37.43	33.33	5.09
1800	63 (17.2)††	48.17	37.10	3.06	45.68	36.10	3.44	43.11	35.07	3.82	40.47	34.01	4.21	37.72	32.88	4.64	34.82	31.65	5.10
	62 (16.7)	48.51	48.51	3.04	46.44	46.44	3.41	44.29	44.29	3.79	42.02	42.02	4.19	39.60	39.60	4.62	36.98	36.98	5.09
	57 (13.9)	48.45	48.45	3.04	46.38	46.38	3.42	44.24	44.24	3.79	41.97	41.97	4.19	39.55	39.55	4.62	36.94	36.94	5.09

See notes on pg. 17

DETAILED COOLING CAPACITIES# (CONT.)

EVAPORATOR AIR		CONDENSER ENTERING AIR TEMPERATURES ° F (° C)																	
		75 (23.9)			85 (29.4)			95 (35)			105 (40.6)			115 (46.1)			125 (51.7)		
		CFM	EWB ° F (° C)	Capacity MBtu/h		Total System KW**	Capacity MBtu/h		Total System KW**	Capacity MBtu/h		Total System KW**	Capacity MBtu/h		Total System KW**	Capacity MBtu/h		Total System KW**	
Total	Sens†			Total	Sens†		Total	Sens†		Total	Sens†		Total	Sens†		Total	Sens†		
116BNA049***A Outdoor Section With CAP**6024A** Indoor Section																			
1400	72 (22.2)	57.54	29.08	3.21	54.91	28.10	3.66	52.22	27.11	4.12	49.43	26.10	4.59	46.46	25.03	5.09	43.18	23.88	5.66
	67 (19.4)	52.60	35.60	3.24	50.19	34.61	3.67	47.73	33.62	4.10	45.16	32.59	4.55	42.41	31.50	5.06	39.40	30.33	5.62
	63 (17.2)††	49.11	34.57	3.26	46.86	33.56	3.67	44.56	32.57	4.08	42.14	31.53	4.53	39.56	30.44	5.03	36.72	29.25	5.60
	62 (16.7)	48.14	42.09	3.26	45.97	41.09	3.66	43.75	40.07	4.08	41.45	38.99	4.52	39.06	30.06	5.02	36.78	36.78	5.60
	57 (13.9)	46.53	46.53	3.26	44.81	44.81	3.66	43.02	43.02	4.07	41.13	41.13	4.52	39.07	39.07	5.02	36.78	36.78	5.60
1600	72 (22.2)	58.62	30.51	3.27	55.85	29.51	3.73	53.04	28.50	4.19	50.14	27.47	4.66	47.06	26.39	5.17	43.67	25.22	5.74
	67 (19.4)	53.60	37.89	3.30	51.08	36.88	3.74	48.50	35.86	4.17	45.93	34.82	4.63	42.99	33.72	5.13	39.88	32.52	5.70
	63 (17.2)††	50.08	36.71	3.32	47.72	35.70	3.74	45.31	34.68	4.16	42.81	33.63	4.61	40.14	32.51	5.11	37.20	31.30	5.68
	62 (16.7)	49.23	45.22	3.32	46.99	44.16	3.74	44.76	44.49	4.16	42.69	42.69	4.61	40.49	40.49	5.11	38.05	38.05	5.68
	57 (13.9)	48.50	48.50	3.33	46.64	46.64	3.74	44.72	44.72	4.16	42.69	42.69	4.61	40.50	40.50	5.11	38.05	38.05	5.68
1800	72 (22.2)	59.40	31.86	3.33	56.54	30.84	3.80	53.64	29.82	4.26	50.85	28.78	4.74	47.47	27.68	5.25	43.99	26.50	5.81
	67 (19.4)	54.34	40.07	3.36	51.73	39.04	3.81	49.07	38.01	4.25	46.33	36.96	4.71	43.41	35.84	5.21	40.23	34.61	5.78
	63 (17.2)††	50.79	38.76	3.39	48.35	37.73	3.81	45.87	36.70	4.23	43.30	35.63	4.69	40.56	34.49	5.19	37.56	33.24	5.76
	62 (16.7)	50.22	49.72	3.39	48.15	48.15	3.81	46.11	46.11	4.24	43.96	43.96	4.69	41.64	41.64	5.19	39.07	39.07	5.77
	57 (13.9)	50.13	50.13	3.39	48.15	48.15	3.81	46.11	46.11	4.24	43.96	43.96	4.69	41.64	41.64	5.19	39.07	39.07	5.77
CONDENSER ENTERING AIR TEMPERATURES ° F (° C)																			
EVAPORATOR AIR		CONDENSER ENTERING AIR TEMPERATURES ° F (° C)																	
		75 (23.9)			85 (29.4)			95 (35)			105 (40.6)			115 (46.1)			125 (51.7)		
		CFM	EWB ° F (° C)	Capacity MBtu/h		Total System KW**	Capacity MBtu/h		Total System KW**	Capacity MBtu/h		Total System KW**	Capacity MBtu/h		Total System KW**	Capacity MBtu/h		Total System KW**	
Total	Sens†			Total	Sens†		Total	Sens†		Total	Sens†		Total	Sens†		Total	Sens†		
116BNA060***A Outdoor Section With CNP**6124A** Indoor Section																			
1750	72 (22.2)	67.82	33.62	3.61	64.17	32.46	4.00	60.58	31.27	4.41	56.79	30.03	4.86	52.77	28.73	5.37	48.49	27.36	5.94
	67 (19.4)	61.61	41.91	3.60	58.55	40.77	3.97	55.32	39.59	4.38	51.90	38.34	4.83	48.28	37.03	5.33	44.39	35.62	5.90
	63 (17.2)††	57.26	40.25	3.60	54.46	39.14	3.96	51.50	37.96	4.36	48.36	36.73	4.80	45.00	35.42	5.31	41.41	34.01	5.88
	62 (16.7)	56.64	50.02	3.59	54.07	53.77	3.96	51.61	51.61	4.36	48.99	48.99	4.81	46.15	46.15	5.32	43.04	43.04	5.90
	57 (13.9)	56.19	56.19	3.59	53.95	53.95	3.96	51.53	51.53	4.36	48.93	48.93	4.81	46.09	46.09	5.32	42.99	42.99	5.90
2000	72 (22.2)	68.55	35.38	3.71	64.97	34.21	4.10	61.24	32.99	4.51	57.31	31.73	4.96	53.16	30.40	5.47	48.76	29.01	6.04
	67 (19.4)	62.54	44.78	3.70	59.34	43.61	4.07	56.00	42.40	4.48	52.47	41.12	4.93	48.74	39.76	5.43	44.80	38.28	6.01
	63 (17.2)††	58.17	42.92	3.69	55.24	41.77	4.06	52.18	40.57	4.46	48.93	39.29	4.90	45.49	37.93	5.41	41.84	36.44	5.99
	62 (16.7)	58.38	56.38	3.69	55.95	55.95	4.06	53.34	53.34	4.47	50.54	50.54	4.92	47.51	47.51	5.42	44.19	44.19	6.00
	57 (13.9)	58.30	58.30	3.69	55.88	55.88	4.06	53.28	53.28	4.46	50.48	50.48	4.92	47.45	47.45	5.42	44.14	44.14	6.00
2250	72 (22.2)	69.20	37.05	3.81	65.50	35.85	4.20	61.65	34.62	4.61	57.62	33.34	5.06	53.39	32.00	5.57	48.89	30.59	6.14
	67 (19.4)	63.21	47.52	3.80	59.93	46.32	4.17	56.49	45.07	4.58	52.89	43.73	5.03	49.12	42.29	5.53	45.19	44.77	6.11
	63 (17.2)††	58.84	45.45	3.79	55.83	44.27	4.16	52.68	43.02	4.56	49.37	41.69	5.01	45.89	40.23	5.51	42.31	42.31	6.09
	62 (16.7)	60.10	60.10	3.79	57.51	57.51	4.16	54.74	54.74	4.57	51.77	51.77	5.02	48.57	48.57	5.53	45.09	45.09	6.11
	57 (13.9)	60.03	60.03	3.79	57.44	57.44	4.16	54.68	54.68	4.57	51.71	51.71	5.02	48.52	48.52	5.53	45.04	45.04	6.11

See notes on pg. 17

DETAILED COOLING CAPACITIES# (CONT.)

EVAPORATOR AIR		CONDENSER ENTERING AIR TEMPERATURES ° F (° C)																	
CFM	EWB ° F (° C)	75 (23.9)			85 (29.4)			95 (65)			105 (40.6)			115 (46.1)			125 (51.7)		
		Capacity MBtuht		Total System KW**	Capacity MBtuht		Total System KW**	Capacity MBtuht		Total System KW**	Capacity MBtuht		Total System KW**	Capacity MBtuht		Total System KW**	Capacity MBtuht		Total System KW**
		Total	Sens†		Total	Sens†		Total	Sens†		Total	Sens†		Total	Sens†		Total	Sens†	
		116BNA061***A Outdoor Section With CNPV*6124A** + TDR Indoor Section																	
	72 (22.2)	68.26	35.40	3.65	65.62	34.24	4.19	62.70	33.02	4.80	59.44	31.72	5.50	55.84	30.35	6.31	51.84	28.89	7.25
1750	67 (19.4)	62.16	43.65	3.59	59.80	42.52	4.12	57.18	41.32	4.72	54.27	40.05	5.42	51.03	38.69	6.24	47.43	37.23	7.18
	62 (16.7)	56.92	51.79	3.54	54.89	50.86	4.07	52.67	49.40	4.67	50.45	50.45	5.37	48.08	48.08	6.19	45.35	45.35	7.15
	57 (13.9)	55.79	55.79	3.53	54.23	54.23	4.06	52.43	52.43	4.67	50.37	50.37	5.37	48.01	48.01	6.19	45.29	45.29	7.15
2000	72 (22.2)	69.37	37.22	3.75	66.58	36.03	4.29	63.50	34.78	4.91	60.12	33.47	5.61	56.36	32.08	6.43	52.22	30.60	7.37
	67 (19.4)	63.22	46.57	3.69	60.75	45.42	4.22	58.00	44.20	4.83	54.96	42.90	5.54	51.60	41.51	6.35	47.88	40.00	7.30
	62 (16.7)	58.30	55.64	3.64	56.40	56.40	4.18	54.43	54.43	4.79	52.18	52.18	5.50	49.62	49.62	6.32	46.69	46.69	7.28
2250	72 (22.2)	70.16	38.93	3.85	67.25	37.73	4.39	64.06	36.47	5.01	60.55	35.14	5.72	56.68	33.73	6.54	52.43	32.24	7.48
	67 (19.4)	64.02	49.36	3.79	61.43	48.19	4.32	58.58	46.94	4.94	55.46	45.61	5.65	52.01	44.17	6.47	48.25	42.59	7.41
	62 (16.7)	59.97	59.97	3.75	58.12	58.12	4.29	55.99	55.99	4.91	53.58	53.58	5.62	50.85	50.85	6.45	47.74	47.74	7.41
	57 (13.9)	59.89	59.89	3.75	58.04	58.04	4.29	55.93	55.93	4.91	53.52	53.52	5.62	50.79	50.79	6.45	47.69	47.69	7.40

† Total and sensible capacities are net capacities. Blower motor heat has been subtracted.
 ‡ Sensible capacities shown are based on 80°F (27°C) entering air at the indoor coil. For sensible capacities at other than 80°F (27°C), deduct 835 Btu/h (245 kW) per 1000 CFM (480 L/S) of indoor coil air for each degree below 80°F (27°C), or add 835 Btu/h (245 kW) per 1000 CFM (480 L/S) of indoor coil air per degree above 80°F (27°C).
 # Detailed cooling capacities are based on indoor and outdoor unit at the same elevation per AHRI standard 210/240-2008. If additional tubing length and/or indoor unit is located above outdoor unit, a slight variation in capacity may occur.
 ** System kw is total of indoor and outdoor unit kilowatts.
 †† At TVA rating indoor condition (75°F edb/63°F ewb). All other indoor air temperatures are at 80°F edb.
NOTE: When the required data falls between the published data, interpolation may be performed. Extrapolation is not an acceptable practice.
EWB — Entering Wet Bulb

CONDENSER ONLY RATINGS

SST °F (°C)		CONDENSER ENTERING AIR TEMPERATURES °F (°C)							
		55 (12.78)	65 (18.33)	75 (23.89)	85 (29.44)	95 (35.0)	105 (40.56)	115 (46.11)	125 (51.67)
116BNA018****B									
30 (-1.11)	TCG	15.70	14.90	14.10	13.20	12.30	11.30	10.20	9.20
	SDT	66.60	76.20	85.80	95.30	104.80	114.30	123.70	133.10
	KW	0.75	0.87	0.99	1.12	1.26	1.41	1.60	1.81
35 (1.67)	TCG	17.50	16.60	15.70	14.70	13.70	12.60	11.50	10.30
	SDT	67.80	77.30	86.80	96.30	105.70	115.10	124.40	133.80
	KW	0.75	0.87	0.99	1.12	1.26	1.42	1.60	1.81
40 (4.44)	TCG	19.40	18.40	17.40	16.30	15.20	14.00	12.80	11.50
	SDT	69.00	78.50	87.90	97.30	106.60	115.90	125.20	134.50
	KW	0.74	0.87	0.99	1.12	1.26	1.42	1.60	1.81
45 (7.22)	TCG	21.50	20.30	19.20	18.00	16.70	15.50	14.10	12.80
	SDT	70.40	79.70	89.00	98.30	107.60	116.90	126.10	135.30
	KW	0.74	0.86	0.99	1.13	1.27	1.43	1.61	1.82
50 (10.0)	TCG	23.60	22.40	21.10	19.70	18.40	17.00	15.60	14.10
	SDT	71.60	80.90	90.10	99.40	108.60	117.80	127.00	136.20
	KW	0.73	0.86	1.00	1.13	1.28	1.44	1.62	1.82
55 (12.78)	TCG	25.90	24.50	23.10	21.60	20.10	18.60	17.10	15.50
	SDT	73.00	82.10	91.30	100.50	109.70	118.80	128.00	137.10
	KW	0.73	0.86	1.00	1.14	1.29	1.45	1.63	1.84
116BNA024****A									
30 (-1.11)	TCG	20.30	19.40	18.30	17.20	16.10	14.80	13.60	12.20
	SDT	66.10	75.80	85.30	94.90	104.40	114.00	123.40	132.80
	KW	1.00	1.15	1.30	1.47	1.65	1.85	2.09	2.36
35 (1.67)	TCG	22.60	21.40	20.30	19.10	17.80	16.50	15.10	13.60
	SDT	67.20	76.80	86.30	95.80	105.30	114.70	124.10	133.50
	KW	0.99	1.14	1.30	1.47	1.65	1.86	2.09	2.36
40 (4.44)	TCG	24.90	23.70	22.40	21.00	19.60	18.20	16.70	15.10
	SDT	68.40	77.90	87.30	96.70	106.10	115.50	124.80	134.10
	KW	0.98	1.14	1.30	1.47	1.66	1.86	2.09	2.36
45 (7.22)	TCG	27.40	26.00	24.60	23.10	21.60	20.10	18.40	16.70
	SDT	69.60	79.00	88.30	97.70	107.00	116.30	125.60	134.90
	KW	0.97	1.14	1.30	1.48	1.66	1.87	2.10	2.37
50 (10.0)	TCG	30.10	28.60	27.00	25.40	23.70	22.00	20.20	18.40
	SDT	70.80	80.10	89.40	98.70	107.90	117.20	126.40	135.60
	KW	0.96	1.13	1.30	1.48	1.67	1.88	2.11	2.37
55 (12.78)	TCG	33.00	31.30	29.50	27.70	25.90	24.10	22.10	20.20
	SDT	72.10	81.30	90.50	99.70	108.90	118.10	127.30	136.40
	KW	0.95	1.13	1.31	1.49	1.68	1.89	2.12	2.39
116BNA030****A									
30 (-1.11)	TCG	24.90	23.50	22.20	20.80	19.40	17.90	16.20	14.40
	SDT	68.10	77.50	87.00	96.40	105.80	115.10	124.40	133.60
	KW	1.27	1.43	1.60	1.78	1.99	2.23	2.50	2.81
35 (1.67)	TCG	27.50	26.00	24.50	23.10	21.50	19.90	18.10	16.20
	SDT	69.40	78.70	88.10	97.40	106.70	116.00	125.30	134.40
	KW	1.28	1.44	1.61	1.79	2.00	2.24	2.51	2.82
40 (4.44)	TCG	30.30	28.60	27.10	25.50	23.80	22.00	20.10	18.10
	SDT	70.70	79.90	89.20	98.50	107.70	117.00	126.20	135.30
	KW	1.29	1.44	1.61	1.80	2.01	2.25	2.52	2.83
45 (7.22)	TCG	33.30	31.50	29.80	28.00	26.20	24.30	22.30	20.10
	SDT	72.00	81.20	90.40	99.60	108.80	118.00	127.20	136.30
	KW	1.29	1.44	1.61	1.80	2.01	2.26	2.53	2.85
50 (10.0)	TCG	36.50	34.50	32.60	30.70	28.80	26.70	24.50	22.20
	SDT	73.50	82.50	91.70	100.80	110.00	119.20	128.20	137.20
	KW	1.29	1.44	1.61	1.80	2.02	2.26	2.54	2.86
55 (12.78)	TCG	39.90	37.80	35.70	33.60	31.50	29.30	26.90	24.40
	SDT	75.00	84.00	93.00	102.10	111.20	120.30	129.30	138.20
	KW	1.29	1.44	1.61	1.80	2.02	2.27	2.54	2.86

See notes on page 20

CONDENSER ONLY RATINGS CONTINUED

SST °F (°C)		CONDENSER ENTERING AIR TEMPERATURES °F (°C)							
		55 (12.78)	65 (18.33)	75 (23.89)	85 (29.44)	95 (35.0)	105 (40.56)	115 (46.11)	125 (51.67)
116BNA036****A									
30 (-1.11)	TCG	31.50	29.90	28.30	26.60	24.80	22.90	21.00	18.90
	SDT	68.90	78.20	87.50	96.80	106.20	115.50	124.90	134.20
	KW	1.50	1.73	1.96	2.21	2.50	2.82	3.21	3.66
35 (1.67)	TCG	34.80	33.00	31.20	29.40	27.40	25.40	23.30	21.10
	SDT	70.10	79.30	88.60	97.90	107.20	116.50	125.80	135.00
	KW	1.50	1.73	1.97	2.22	2.51	2.83	3.21	3.66
40 (4.44)	TCG	38.30	36.40	34.40	32.40	30.30	28.10	25.80	23.40
	SDT	71.40	80.60	89.80	99.00	108.20	117.40	126.70	135.90
	KW	1.51	1.74	1.98	2.24	2.52	2.85	3.22	3.66
45 (7.22)	TCG	42.10	40.00	37.80	35.60	33.30	30.90	28.40	25.80
	SDT	72.80	81.90	91.00	100.20	109.40	118.50	127.70	136.80
	KW	1.52	1.75	1.99	2.25	2.54	2.86	3.24	3.67
50 (10.0)	TCG	46.20	43.90	41.50	39.00	36.50	33.90	31.20	28.40
	SDT	74.40	83.30	92.40	101.50	110.50	119.60	128.70	137.70
	KW	1.53	1.77	2.01	2.27	2.56	2.88	3.25	3.68
55 (12.78)	TCG	50.50	47.90	45.30	42.70	39.90	37.10	34.20	31.10
	SDT	76.00	84.90	93.80	102.80	111.80	120.80	129.80	138.70
	KW	1.55	1.79	2.04	2.30	2.58	2.91	3.28	3.70
116BNA042****A									
30 (-1.11)	TCG	37.90	36.20	34.30	32.30	30.10	27.90	25.50	23.00
	SDT	69.80	79.20	88.70	98.10	107.40	116.70	125.90	135.10
	KW	1.83	2.03	2.26	2.54	2.86	3.22	3.63	4.09
35 (1.67)	TCG	41.90	40.00	37.90	35.70	33.30	30.80	28.30	25.60
	SDT	71.20	80.60	89.90	99.20	108.40	117.70	126.80	136.00
	KW	1.84	2.04	2.28	2.56	2.88	3.24	3.65	4.10
40 (4.44)	TCG	46.10	44.00	41.70	39.20	36.70	34.00	31.20	28.30
	SDT	72.70	81.90	91.20	100.40	109.60	118.70	127.80	136.90
	KW	1.85	2.05	2.30	2.58	2.90	3.26	3.67	4.13
45 (7.22)	TCG	50.70	48.30	45.80	43.10	40.20	37.30	34.30	31.10
	SDT	74.20	83.30	92.50	101.60	110.80	119.80	128.90	137.90
	KW	1.86	2.07	2.32	2.60	2.92	3.29	3.70	4.15
50 (10.0)	TCG	55.50	52.90	50.10	47.10	44.00	40.80	37.50	34.10
	SDT	75.80	84.80	93.90	103.00	112.00	121.00	130.00	138.90
	KW	1.87	2.09	2.34	2.63	2.95	3.32	3.73	4.19
55 (12.78)	TCG	60.70	57.70	54.60	51.30	47.90	44.40	40.80	37.10
	SDT	77.40	86.40	95.40	104.40	113.40	122.30	131.20	140.00
	KW	1.89	2.11	2.36	2.66	2.99	3.36	3.77	4.22
116BNA048****B									
30 (-1.11)	TCG	42.80	40.60	38.30	36.00	33.60	31.10	28.50	25.80
	SDT	67.80	77.20	86.60	96.00	105.40	114.70	124.00	133.30
	KW	2.00	2.29	2.58	2.87	3.17	3.51	3.90	4.35
35 (1.67)	TCG	47.40	44.80	42.30	39.70	37.10	34.40	31.60	28.60
	SDT	69.00	78.30	87.70	97.00	106.30	115.60	124.80	134.10
	KW	1.93	2.25	2.56	2.87	3.19	3.53	3.92	4.36
40 (4.44)	TCG	52.30	49.50	46.60	43.80	40.90	37.90	34.90	31.60
	SDT	70.40	79.60	88.80	98.00	107.20	116.50	125.70	134.80
	KW	1.82	2.18	2.52	2.85	3.19	3.55	3.94	4.38
45 (7.22)	TCG	57.80	54.60	51.40	48.20	45.00	41.70	38.30	34.80
	SDT	71.80	80.80	90.00	99.10	108.30	117.40	126.60	135.70
	KW	1.68	2.07	2.45	2.81	3.17	3.55	3.95	4.40
50 (10.0)	TCG	63.70	60.10	56.50	52.90	49.40	45.70	42.00	38.10
	SDT	73.20	82.20	91.30	100.30	109.40	118.50	127.50	136.50
	KW	1.49	1.93	2.34	2.74	3.13	3.53	3.95	4.41
55 (12.78)	TCG	70.10	66.00	62.00	58.00	54.10	50.00	45.90	41.60
	SDT	74.70	83.70	92.60	101.60	110.60	119.60	128.50	137.40
	KW	1.25	1.74	2.20	2.63	3.06	3.49	3.94	4.41

See notes on page 20

CONDENSER ONLY RATINGS CONTINUED

SST ° F (° C)		CONDENSER ENTERING AIR TEMPERATURES ° F (° C)							
		55 (12.78)	65 (18.33)	75 (23.89)	85 (29.44)	95 (35.0)	105 (40.56)	115 (46.11)	125 (51.67)
116BNA049****A									
30 (-1.11)	TCG	45.00	42.40	39.90	37.40	34.90	32.30	29.50	26.40
	SDT	70.30	79.50	88.90	98.20	107.60	116.90	126.20	135.40
	KW	2.04	2.41	2.75	3.08	3.44	3.84	4.32	4.89
35 (1.67)	TCG	49.80	46.80	44.00	41.20	38.50	35.60	32.60	29.30
	SDT	71.70	80.90	90.10	99.40	108.70	118.00	127.20	136.30
	KW	1.99	2.39	2.75	3.10	3.47	3.87	4.34	4.90
40 (4.44)	TCG	54.90	51.50	48.40	45.30	42.20	39.10	35.80	32.30
	SDT	73.20	82.40	91.50	100.70	109.90	119.00	128.20	137.20
	KW	1.93	2.36	2.75	3.12	3.50	3.91	4.38	4.92
45 (7.22)	TCG	60.40	56.60	53.00	49.60	46.20	42.80	39.30	35.50
	SDT	74.80	83.90	92.90	102.00	111.10	120.20	129.20	138.10
	KW	1.86	2.33	2.75	3.14	3.53	3.95	4.41	4.94
50 (10.0)	TCG	66.20	62.00	58.00	54.20	50.50	46.70	42.90	38.70
	SDT	76.40	85.50	94.50	103.40	112.40	121.40	130.30	139.10
	KW	1.78	2.28	2.73	3.15	3.56	3.99	4.45	4.98
55 (12.78)	TCG	72.40	67.70	63.20	59.10	55.00	50.90	46.70	42.10
	SDT	78.20	87.10	96.10	104.90	113.80	122.60	131.40	140.10
	KW	1.68	2.23	2.71	3.16	3.59	4.02	4.49	5.01
116BNA060****A									
30 (-1.11)	TCG	49.90	47.50	45.10	42.40	39.60	36.70	33.50	30.20
	SDT	70.90	80.40	89.80	99.20	108.50	117.80	127.00	136.30
	KW	2.31	2.60	2.90	3.24	3.61	4.05	4.56	5.17
35 (1.67)	TCG	55.30	52.60	49.80	46.90	43.90	40.70	37.30	33.80
	SDT	72.50	81.80	91.20	100.50	109.70	118.90	128.10	137.30
	KW	2.31	2.61	2.93	3.27	3.65	4.08	4.59	5.19
40 (4.44)	TCG	61.00	58.00	54.90	51.70	48.40	45.00	41.40	37.60
	SDT	74.10	83.40	92.60	101.80	111.00	120.10	129.20	138.30
	KW	2.31	2.63	2.95	3.29	3.68	4.12	4.63	5.22
45 (7.22)	TCG	67.20	63.80	60.30	56.90	53.30	49.60	45.70	41.70
	SDT	75.80	84.90	94.10	103.20	112.30	121.40	130.40	139.40
	KW	2.31	2.64	2.97	3.32	3.71	4.15	4.66	5.25
50 (10.0)	TCG	73.70	70.00	66.20	62.40	58.50	54.50	50.40	46.10
	SDT	77.60	86.60	95.70	104.70	113.70	122.70	131.60	140.50
	KW	2.31	2.65	2.99	3.35	3.75	4.19	4.70	5.28
55 (12.78)	TCG	80.80	76.60	72.40	68.30	64.00	59.80	55.30	50.70
	SDT	79.50	88.40	97.30	106.20	115.20	124.00	132.90	141.60
	KW	2.31	2.66	3.02	3.39	3.79	4.24	4.74	5.32
116BNA061****A									
30 (-1.11)	TCG	47.40	46.30	45.00	43.40	41.50	39.30	36.80	33.80
	SDT	70.70	80.00	89.20	98.50	107.70	116.90	126.00	135.10
	KW	1.95	2.35	2.79	3.30	3.90	4.61	5.45	6.46
35 (1.67)	TCG	52.30	51.10	49.60	47.90	45.90	43.40	40.70	37.40
	SDT	72.20	81.40	90.60	99.70	108.90	118.00	127.00	136.00
	KW	1.98	2.38	2.82	3.34	3.94	4.65	5.49	6.49
40 (4.44)	TCG	57.60	56.20	54.60	52.70	50.40	47.80	44.80	41.20
	SDT	73.90	82.90	92.00	101.00	110.10	119.10	128.10	137.00
	KW	2.01	2.41	2.86	3.38	3.99	4.70	5.54	6.53
45 (7.22)	TCG	63.20	61.70	59.90	57.80	55.30	52.40	49.00	45.20
	SDT	75.60	84.50	93.50	102.50	111.40	120.40	129.20	138.10
	KW	2.05	2.45	2.91	3.43	4.04	4.75	5.59	6.58
50 (10.0)	TCG	69.20	67.50	65.50	63.20	60.40	57.20	53.50	49.40
	SDT	77.40	86.20	95.10	104.00	112.80	121.70	130.40	139.10
	KW	2.09	2.50	2.96	3.49	4.10	4.82	5.65	6.64
55 (12.78)	TCG	75.60	73.70	71.40	68.80	65.70	62.20	58.20	53.60
	SDT	79.30	88.00	96.80	105.60	114.30	123.00	131.70	140.30
	KW	2.14	2.56	3.03	3.56	4.17	4.89	5.72	6.70

* AHRI listing applies only to systems shown in Combination Ratings table.

KW - Outdoor Unit Kilowatts Only.

SDT - Saturated Temperature Leaving Compressor (° F)

SST - Saturated Temperature Entering Compressor (° F/° C)

TCG - Gross Cooling Capacity (1000 Btuh)

GUIDE SPECIFICATIONS

GENERAL

System Description

Outdoor-mounted, air-cooled, split-system air conditioner unit suitable for ground or rooftop installation. Unit consists of a hermetic compressor, an air-cooled coil, propeller-type condenser fan, and a control box. Unit will discharge supply air upward as shown on contract drawings. Unit will be used in a refrigeration circuit to match up to a packaged fan coil or coil unit.

Quality Assurance

- Unit will be rated in accordance with the latest edition of AHRI Standard 210.
- Unit will be certified for capacity and efficiency, and listed in the latest AHRI directory.
- Unit construction will comply with latest edition of ANSI/ASHRAE and with NEC.
- Unit will be constructed in accordance with UL standards and will carry the UL label of approval. Unit will have c-UL-us approval.
- Unit cabinet will be capable of withstanding Federal Test Method Standard No. 141 (Method 6061) 500-hr salt spray test.
- Air-cooled condenser coils will be leak tested at 150 psig and pressure tested at 450 psig.
- Unit constructed in ISO9001 approved facility.

Delivery, Storage, and Handling

- Unit will be shipped as single package only and is stored and handled per unit manufacturer's recommendations.

Warranty (for inclusion by specifying engineer)

- U.S. and Canada only.

PRODUCTS

Equipment

Factory assembled, single piece, air-cooled air conditioner unit. Contained within the unit enclosure is all factory wiring, piping, controls, compressor, refrigerant charge Puron® (R-410A), and special features required prior to field start-up.

Unit Cabinet

- Unit cabinet will be constructed of galvanized steel, bonderized, and coated with a powder coat paint.

AIR-COOLED, SPLIT-SYSTEM AIR CONDITIONER

116B

1-1/2 TO 5 NOMINAL TONS

Fans

- Condenser fan will be direct-drive propeller type, discharging air upward.
- Condenser fan motors will be totally enclosed, 1-phase type with class B insulation and permanently lubricated bearings. Shafts will be corrosion resistant.
- Fan blades will be statically and dynamically balanced.
- Condenser fan openings will be equipped with coated steel wire safety guards.

Compressor

- Compressor will be hermetically sealed.
- Compressor will be mounted on rubber vibration isolators.

Condenser Coil

- Condenser coil will be air cooled.
- Coil will be constructed of aluminum fins mechanically bonded to copper tubes which are then cleaned, dehydrated, and sealed.

Refrigeration Components

- Refrigeration circuit components will include liquid-line shutoff valve with sweat connections, vapor-line shutoff valve with sweat connections, system charge of Puron® (R-410A) refrigerant, and compressor oil.
- Unit will be equipped with filter drier for Puron refrigerant.

Operating Characteristics

- The capacity of the unit will meet or exceed _____ Btuh at a suction temperature of _____ °F/°C. The power consumption at full load will not exceed _____ kW.
- Combination of the unit and the evaporator or fan coil unit will have a total net cooling capacity of _____ Btuh or greater at conditions of _____ CFM entering air temperature at the evaporator at _____ °F/°C wet bulb and _____ °F/°C dry bulb, and air entering the unit at _____ °F/°C.
- The system will have a SEER of _____ Btuh/watt or greater at DOE conditions.

Electrical Requirements

- Nominal unit electrical characteristics will be _____ v, single phase, 60 hz. The unit will be capable of satisfactory operation within voltage limits of _____ v to _____ v.
- Unit electrical power will be single point connection.
- Control circuit will be 24v.

Special Features

- Refer to section of this literature identifying accessories and descriptions for specific features and available enhancements.

SYSTEM DESIGN SUMMARY

1. Intended for outdoor installation with free air inlet and outlet. Outdoor fan external static pressure available is less than 0.01-in. wc.
2. Minimum outdoor operating air temperature for cooling mode without low-ambient operation accessory is 55°F (12.8°C).
3. Maximum outdoor operating air temperature is 125°F (51.7°C).
4. For reliable operation, unit should be level in all horizontal planes.
5. For interconnecting refrigerant tube lengths greater than 80 ft (23.4 m) and/or 35 ft (10.7 m) vertical differential, consult Residential Piping and Longline Guideline and Service Manual available from equipment distributor.
6. If any refrigerant tubing is buried, provide a 6 in. (152.4 mm) vertical rise to the valve connections at the unit. Refrigerant tubing lengths up to 36 in. (914.4 mm) may be buried without further consideration. Do not bury refrigerant lines longer than 36 in. (914.4 mm).
7. Use only copper wire for electric connection at unit. Aluminum and clad aluminum are not acceptable for the type of connector provided.
8. Do not apply capillary tube indoor coils to these units.
9. Factory-supplied filter drier must be installed.